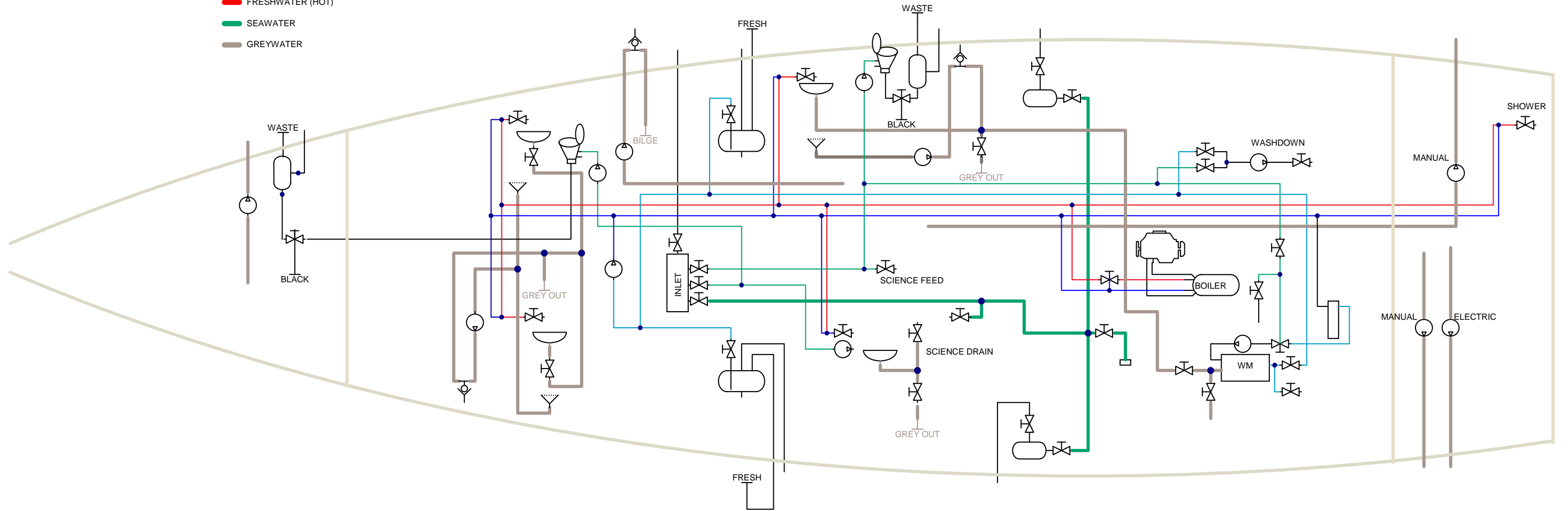


- BLACKWATER
- FRESHWATER (UNPRESSURIZED)
- FRESHWATER
- FRESHWATER (HOT)
- SEAWATER
- GREYWATER



Title			JOURNEYMAN 60		
Size			WATER PIPING DIAGRAM		
A3	Number		Revision		
Date:	2010-07-15	Sheet of			
File:	E:\Jobb21.\Water Piping.SchDoc	Drawn By:			